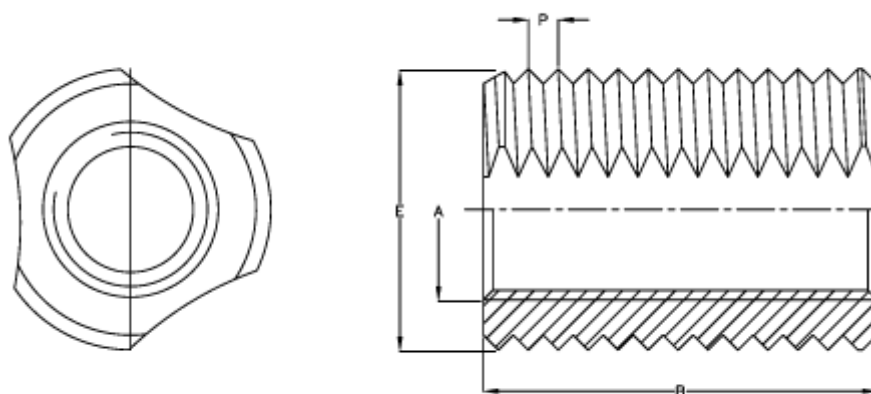


Data Sheet



Article number: 12305000050800
Description: KLEE-coil 305 000 050.800
M5 Brass

Measures



Female thread A	= M5
Length B	= 10
Male thread E	= 8.0
Min hole depth blind hole	= 11
Recommended bore diameter	= 7.3 to 7.4
Thread pitch P	= 1.00
Type	= 305 000 050.800